

Sink Tornado

Kitchen Sinks

Code: 1579 660



DETAILS

Edge/Installation Type Standard (8 mm Edge)

Finish Foster brushed

Material AISI 304 stainless steel

Texture Foster brushed

Base 80 cm

Dimensions 790 x 500 mm

Standard fittings Fixing hooks, gasket, drain, overflow and siphon, boxed packing

Mixer holes 2 standard holes - 3rd hole on request

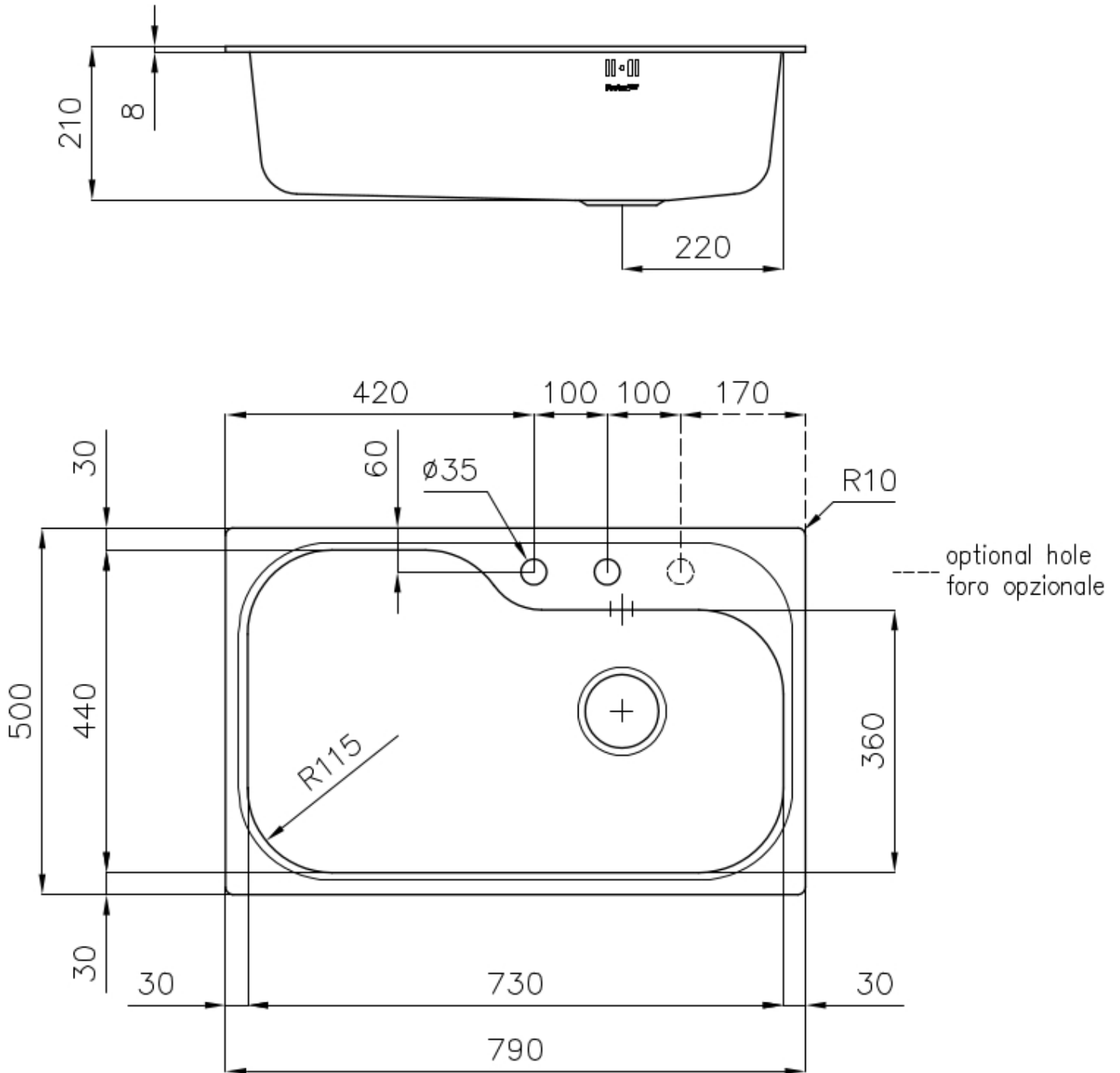
Built-in hole 770x480 mm

Drainer	No
Width	79 cm
Bowl dimension	730 x 440 mm
Number of bowls	1 bowl
Waste fitting	Drain with automatic PR control

FEATURES

2nd / 3rd hole available	The sink can be customized with the execution on request of additional holes, usable for double-hole mixers, for remote controlled drains or for the installation of soap dispensers. The positions are marked on the drawings with dotted line holes.
Automatic waste fitting	The waste-fitting with round remote knob is supplied; a practical accessory which makes it unnecessary to get wet in order to drain the water from the bowl.
Basket 3,5" waste fitting	The drain is equipped with a large 3.5" drain, with the practical basket cap that prevents the discharge of solid parts.
Deep bowls	This bowls reach an important depth, over 20 cm, thanks to the advanced production technology, that can be offer great capieny and practicity in all the washing operations.
Double mixer hole	The large tap counter is already fitted with a series of 2 tap holes. In the second hole it is possible to install the remote control of the automatic drain or, alternatively, a practical soap dispenser.
High thickness	1mm thick steel. A significant thickness, which guarantees the maximum sturdiness and durability.

TECHNICAL DATA



EQUIPMENT



Automatic waste fitting

8407100

OPTIONAL ACCESSORIES



Iroko-wood chopping board
8659 111



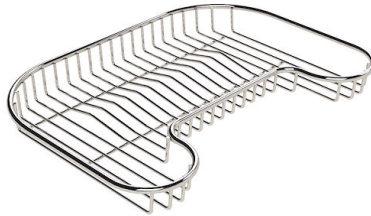
Iroko-wood chopping board
8659 112



Iroko-wood twin chopping board
8644 003



Stainless steel plate rack
8100 154



Stainless steel plate rack
8100 111



Vaschetta bianca
8152 100



White colander
8151 100

RECOMMENDED PAIRINGS



Mixer Tap Gamma
8483 001



Mixer Tap Lorenzo
8466 000